



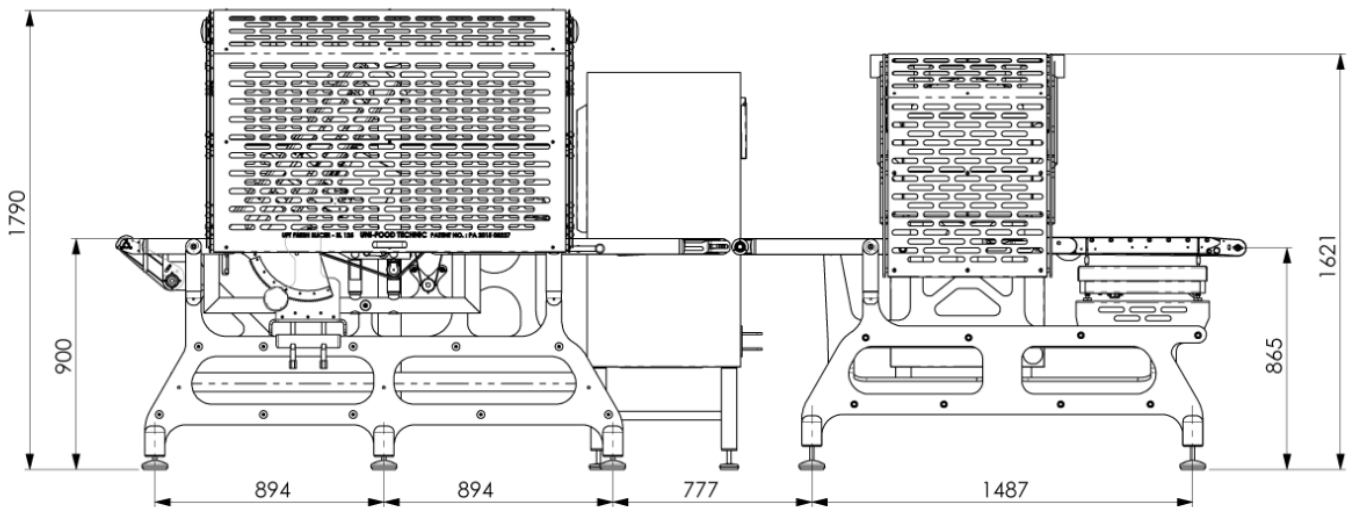
FIXED WEIGHT SLICER

SL 125 FWS Vision System



FIXED WEIGHT SLICER

SL 125 FWS Vision System



PRODUCT INFORMATION

The brand new 'Fixed Weight' Slicer SL 125 FWS Vision is a state of the art, single lane D-cut slicer for fresh smoked salmon.

The slicer can be programmed to perform a

- fixed weight cut
- fixed angle and thickness cut
- fixed length cut

The cutting angle can be set in a 10°- 90° angle and the slice thickness can be set from 2-100 mm.

To achieve a fixed weight the slicer uses the newest vision and weight technology enabling the slicer to obtain a more accurate cut - optimized to a vision better than ever seen before.

Focusing on hygiene, easy operation, and maintenance, Uni-Food Technic A/S has designed and constructed the Fixed Weight Slicer SL 125 in round stainless steel (AISI 304). An innovative construction, helping to ensure a bacteria-free environment given the fact that the round steel pipes easily drain off the water and hereby minimizes the bacteria accumulation on the machine.

TECHNICAL INFORMATION

- Complete stainless steel AISI 304 frame in hygiene design equipped with adjustable feet
- State of the art slicing system
- Single lane in- and out-feed conveyors
- Single lane cardboard conveyor
- Stainless steel AISI 316 servo motors IP69K with condensation preventer
- Performs D-cut slices with fixed weight, fixed angle and thickness or fixed length

TECHNICAL DATA

Capacity:	Up to 125 slices/min
Cutting angle:	10°-90°
Cutting width:	2 x 240 mm
Slice thickness:	From 2-100 mm
Max product height:	45 mm
Max product length:	1000 mm
Power:	3 x 400 V/230 V +N+PE, 50 Hz

Slicer SL 125

Vision System

Scale

